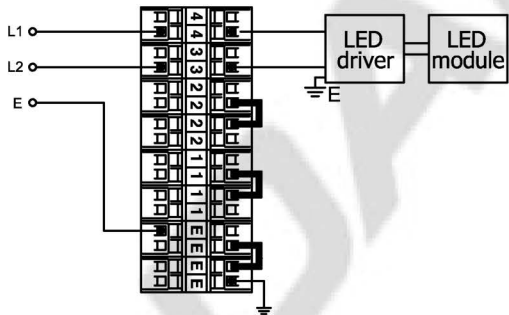
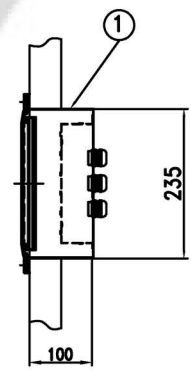
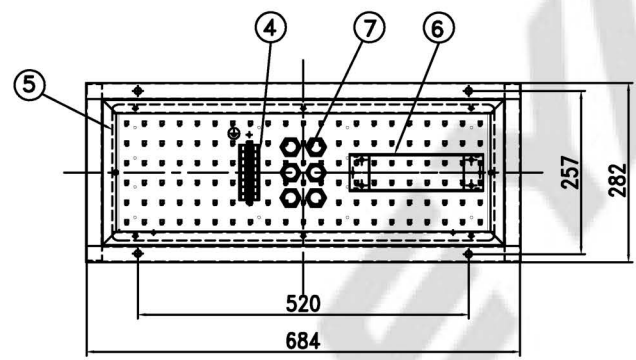
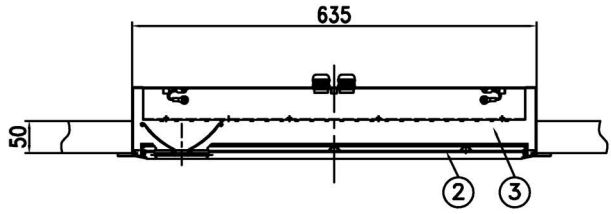
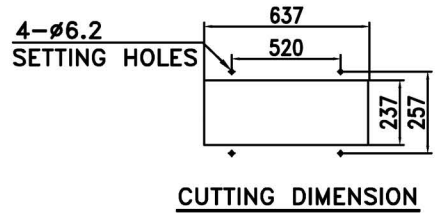


CAPACITY	SYMBOL/SERIAL NO.	CIRCUIT DIAGRAM
AC100-240V, 50/60Hz		
28W		



CIRCUIT DIAGRAM



CUTTING DIMENSION

					4	TERMINAL BLOCK	-	1	CLAMPING 8P
7	CABLE GLAND(R25M)	BRASS	6	ø9~ø17	3	LED module	-	1	3,000±300K
6	LED driver	-	1		2	GLOBE	ACRYL	1	
5	LED module BRACKET	STEEL	1		1	BODY	STEEL	1	
NO	NAME OF PARTS	MATERIAL	Q'TY	REMARKS	NO	NAME OF PARTS	MATERIAL	Q'TY	REMARKS

APPROVED	B. K. KIM	UNIT	MM	TITLE; NO-GAP LED CEILING LIGHT FOR MARINE USE
CHECKED		SCALE	N/S	
DRAWING	B. I. KIM	COLOR	N-9.3	
DATE	2015.12.04	IP	44	



MODEL NO.	LEB128WF-0550SNQC30-A(R25M)	WEIGHT	8 Kg
DWG NO.	LO1150127	SHEET NO.	18